

PRESTO®



the essentials | 2017

TAPWARE FOR INTENSIVE USE AND CHALLENGING ENVIRONMENTS



FRENCH TAPWARE SENSOR | SELF-CLOSING | SENSITIVE





SUMMARY



Washbasin

14



Shower

16



Centralised
mixing valve

20



Urinal valve

22



Flush valve

24



Mounting
frame

26



Sanifirst
washbasin

30



Sanifirst
shower

32



Professional
tapware

34



Mobility

36



PRESTO NEO® ONLY PRETTIER

Designed to **save energy** during intensive use, the PRESTO NEO range now includes a deck-mounted mixer tap, allowing the user to adjust the temperature.

Also available as a single tap, PRESTO NEO offers **great flexibility** in terms of installation thanks to its **three body lengths** for wall-mounted applications. Its new body, for deck-mounted applications, combines elegance, reliability and a sturdy construction.



PRESTO
loves water

PRESTO NEO FOR WHICH AUDIENCE?

The PRESTO NEO is designed for intensive use, unsupervised facilities and locations at risk of vandalism:

- Junior high schools / High schools
- Gyms/Swimming pools
- Stations/Airports
- Service stations
- Outdoor accomodations



Stainless steel
deck-mounted version.

Chrome-plated deck-
mounted mixer version.

Wall-mounted versions with
3 lengths.

BENEFITS



CONTEMPORARY DESIGN: choice of chrome-plated brass or stainless steel finish.



FLEXIBILITY: easy to install thanks to 3 body lengths for wall-mounted applications and deck-mounted versions (single and mixer taps).



WATER SAVINGS: the unique PRESTO patent guarantees constant timed-flow. The PRESTOGREEN® (7 s or 1.9 l/min) and S® anti-blocking system help to control water consumption.



VANDAL-PROOF: its robust fastening system and antirotation button prevent any risk of premature wear.



PRESTO NEO® *Duo*

SIMPLE AND SMOOTH



The latest big technological innovation for saving energy, the PRESTO NEO *Duo*, includes "built-in" **dual timed-flow** thanks to a new action:

- **lifting the ergonomic lever** produces a short timed-flow of 7 seconds, which is enough to get your hands wet,
- **pressing down on the handle** results in a longer timed-flow of 11 seconds, which is ideal for rinsing your hands.



PRESTO
loves water

PRESTO NEO Duo FOR WHICH AUDIENCE?

PRESTO NEO Duo is designed for users looking for maximum convenience:

- Early childhood facilities
- Nursery and primary schools
- Offices
- Outdoor accomodations



Deck-mounted version with green and light red levers.



Wall-mounted version with grey and light red levers.

BENEFITS



SOFT TOUCH: the ergonomic lever (which can be customised in light red or green) is suitable for children, the elderly and those with reduced mobility.



INTUITIVE: the icons are easy to identify.



WATER SAVINGS: the dual timed-flow ensures optimum management of water consumption because it is adapted to user habits (wet hands/rub with soap/rinse well).

SENSAO® 8400 N/8500/8600 USEFUL AND DISCREET

SENSAO 8400 N

The new exposed SENS AO 8400 N sensor urinal offers a modern and modular design, suitable for many types of urinal with in-line or rear water inlets. Automatic, self-closing function, easy installation and maintenance makes SENS AO 8400 N ideal for any public sanitary.



FOR WHICH AUDIENCE?

The SENS AO 8400 N is designed for intensive use locations requiring effective, economical and robust facilities:

- Airports
- Offices
- Restaurants
- Shopping centres
- Theatres/Cinemas
- Stadium



BENEFITS



WATER SAVINGS: self-closing flush, flow time can be adjusted according to customer requirement. Flow rate set at 6 l/min, can be reduced by the integrated stop valve.



OPTIMUM HYGIENE: automatic detection without hand contact, configurable periodical automatic flushing is pre-set every 24 hours after the last use.



EASY INSTALLATION AND MAINTENANCE: just one screw allows access to all the components (battery, solenoid valve and the filter) without dismantling the tap.



SECURITY: the solenoid valve closes automatically if the battery runs out or the sensor is damaged.



COMPACTNESS: its smaller design blends in easily with its surroundings.



PRESTO
loves water

SENSAO 8500/8600

The PRESTO SENS AO 8500/8600 sensor urinal valve unit offers a **compact and sturdy design**. The timed flow pre-set at 6 seconds **reduces the delivered flushing volume**. Concealed mounting with 304L stainless steel front plate ensures **protection against vandalism**. Its dual activation mode offers better hygiene thanks to the contactless sensor unit, and better comfort for the user who can trigger the manual override button. The manual activation can also be used in case of daily cleaning routine.



FOR WHICH AUDIENCE?

The PRESTO SENS AO 8500/8600 is the recommended solution for all public sanitary use requiring reliable operation for reasons of hygiene, odour and cleanliness:

- Offices
- Airports
- Stadiums
- Restaurants
- Public swimming pools
- Shopping centres



OPERATION: the periodical flushing is programmable and the automatic detection parameters can be adjusted.



VANDAL-PROOF: concealed mounting with stainless steel anti-vandal 304L front plate (smudge-proof finish).



GREATER EASE OF INSTALLATION AND SIMPLER MAINTENANCE: this pre-assembled product simplifies installation and reduces maintenance time thanks to easy front access.



BENEFITS

PRESTOTEM[®] 2

STYLISH AND SIMPLE



The new PRESTOTEM 2 shower panels present a modern and robust design. They are perfectly adapted to commercial applications with high resistance to intensive uses. These innovative shower panels are simple to use, making installation and service easier, thanks to the wide opening panel and their **removable shower valve plate**.

REVOLUTIONARY REMOVABLE PLATE COMPATIBLE WITH PRESTO TAPS



PRESTOTEM 2 FOR WHICH AUDIENCE?

PRESTOTEM 2 is designed for intensive use, with strict sanitary requirements:

- Campsites
- Public swimming pools
- Gyms and sports centres
- Stadiums
- Outdoor accommodations
- Military accommodations



New system with wide opening panel and removable valve plate.

BENEFITS



WATER SAVINGS: self-closing versions prevent waste. PRESTOTEM 2 is also available in S® anti-blocking version making continuous flow impossible.



OPTIMIZED AND SIMPLIFIED SERVICE: the opening panel provides full access to the taps and shower head without dismantling. The revolutionary removable valve plate brings significant savings in terms of storage space and management time if this equipment is put away for winter storage. Maintenance can also be carried out elsewhere.



QUICK AND COST EFFECTIVE INSTALLATION: light-weight frame with hinge and door opening system makes it easy for one person to install the equipment alone. For renovations, the panel and the adjustable space between axes make it possible to cover up where a first-generation PRESTOTEM was installed.



COMPATIBILITY: With PRESTOTEM 2, you can change tap type as required; simply change the removable plate and it is compatible with PRESTO taps (MasterMix, TOUCH, PRESTO 50 etc.).

MasterMix® CONTROL RISK



The new generation of SANIFIRST® thermostatic mixers makes use of unique patented MasterMix technology, which limits the risks of burns and infection for both patients and care workers. Now available as a whole collection:

- **washbasins** (with or without pull-out spray shower head)
- **wall-mounted showers** (top and bottom outlet)
- **shower tablets** (mechanical and TOUCH® sensitive)
- **PRESTOTEM® 2 shower panels** (mechanical and TOUCH sensitive)

MasterMiX.



MasterMix FOR WHICH AUDIENCE?

The MasterMix is designed for healthcare establishments and facilities for the elderly or young children:

- Hospitals
- Clinics
- Nursing homes
- Retirement homes
- Nurseries
- Maternity units



Wallmounted version



Shower tablet version



Single-hole version



Shower panel version

BENEFITS



PROTECTS AGAINST BACTERIAL GROWTH: MasterMix technology prevents any intercommunication between DHW (domestic hot water) and DCW (domestic cold water), eliminating the need for check valves, which are very often the source of intercommunication.



PROTECTS AGAINST BURNS: the temperature is controlled since the thermostatic cartridge prevents any water flow in the event of instant shut-off (in accordance with French standard NF EN 1111). The dual temperature limiters will not deliver pre-mixed water above 38°C or 41°C. The body remains cold.



EASY TO MAINTAIN: the thermostatic cartridge can be changed without shutting off the water. The mixer simply needs to be left in the "off" position.

CUSTOMISE YOUR TAPS STAND OUT FROM THE CROWD

Express your originality with **customised taps** that will help you stand out and **highlight your clients' brands**.
Choose the **colour** of your taps, and **add your logo or text** to numerous PRESTO products.



3 TYPES OF CUSTOMISATION AVAILABLE

COLOURED COVER/LEVER



LASER MARKING



COLOUR PAD PRINTING



HOW TO CUSTOMISE PRESTO PRODUCTS

- 1 Select the product you want to customise and the type of customisation you require.

	WASHBASIN			SHOWER		FLUSH VALVE	URINAL VALVE
	PRESTO NEO [®] Duo	NEW TOUCH [®]	SO'O [®]	ALPA concealed	P50 B / P500 S [®] B concealed	P1000 XL single and dual volume + P7000XL	SENSAO [®] 8500-8600
Coloured cover/lever	✓	✓	✓	-	-	-	-
Laser marking	-	✓	✓	✓	✓	✓	✓
Colour pad printing	-	✓	✓	✓	✓	✓	✓

- 2 Specify the position and size of the logo/text. If a logo is required, provide a high-definition image.
- 3 Indicate the quantities required.
- 4 Send your request for information/a quote by email to serviceclient@presto.fr or contact your sales representative.

sanifirst



Check out our tapware solutions
for healthcare facilities in the
SANIFIRST 2016 catalogue.

WASHBASIN

PRESTO NEO®

Deck-mounted mixer tap

NEW



| 3 l/min | Ø 3/8" | 7 s | Temperature limiter |

PRESTO NEO® MIXER TAP

PRESTO GREEN
Straight stop valves - 7 s 68401

PRESTO NEO® - 65 mm - 95 mm - 150 mm PROJECTION

Single wall-mounted tap



| 3 l/min | Ø 1/2" | 7 s | 75 °C |

PRESTO NEO® CHROME-PLATED BRASS

65 mm PROJECTION SINGLE TAP
PRESTO GREEN
Cold water - 7 s 66005

95 mm PROJECTION SINGLE TAP
PRESTO GREEN
Cold water - 7 s 66015

150 mm PROJECTION SINGLE TAP
PRESTO GREEN
Cold water - 7 s 66025

PRESTO NEO® STAINLESS STEEL

65 mm PROJECTION SINGLE TAP
PRESTO GREEN
Cold water - 7 s 66030

150 mm PROJECTION SINGLE TAP
PRESTO GREEN
Cold water - 7 s 66035

PRESTO NEO® DUO S®

Deck-mounted mixer tap



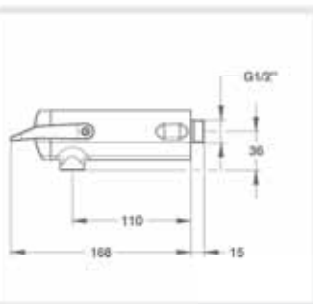
| 3 l/min | Ø 3/8" | 7/11 s | Temperature limiter |

PRESTO NEO® DUO MIXER TAP

DUAL TIMED-FLOW		
		68052
S® anti-blocking system	●	68070
7/11 s - 3 l/min	●	68093

PRESTO NEO® DUO S®

Single wall-mounted tap



| 3 l/min | Ø 1/2" | 7/11 s | 75 °C |

PRESTO NEO® DUO SINGLE TAP

DUAL TIMED-FLOW		
Cold or hot water		64708
S® anti-blocking system	●	64734
7/11 s - 3 l/min	●	64764

PRESTORIZON® TAP WITH BUILT-IN ELECTRONICS

WITH BUILT-IN 9 V LITHIUM BATTERY

With built-in battery and solenoid valve

52041**PRESTORIZON®**

Wall-mounted tap with built-in battery and solenoid valve



| 3 l/min | Ø 1/2" | 24h duty flush | CE |

VOLTA® SINGLE TAP

WITH BUILT-IN 6V CRP2 LITHIUM BATTERY

Straight stop valve

55060

WITH 230 V AC / 7 V DC IP65 POWER SUPPLY

Straight stop valve

55050**VOLTA®**

Single deck-mounted tap



| 3 l/min | Ø 3/8" | 75°C | CE |

SO'O® MIXER TAP

WITH BUILT-IN 6V CRP2 LITHIUM BATTERY

Straight stop valves

☉ Chrome-plated cover

56200

WITH 230 V AC / 7 V DC IP65 POWER SUPPLY

Straight stop valves

☉ Chrome-plated cover

56210**SO'O®**

Deck-mounted mixer tap



| 3 l/min | Ø 3/8" | Temperature limiter | CE |

NEW TOUCH® MIXER TAP

WITH BUILT-IN 6V CRP2 LITHIUM BATTERY

Straight stop valves

☉ Chrome-plated cover

56603

WITH 230 V AC / 7 V DC IP65 POWER SUPPLY

Straight stop valves

☉ Chrome-plated cover

56605**NEW TOUCH®**

Deck-mounted mixer tap

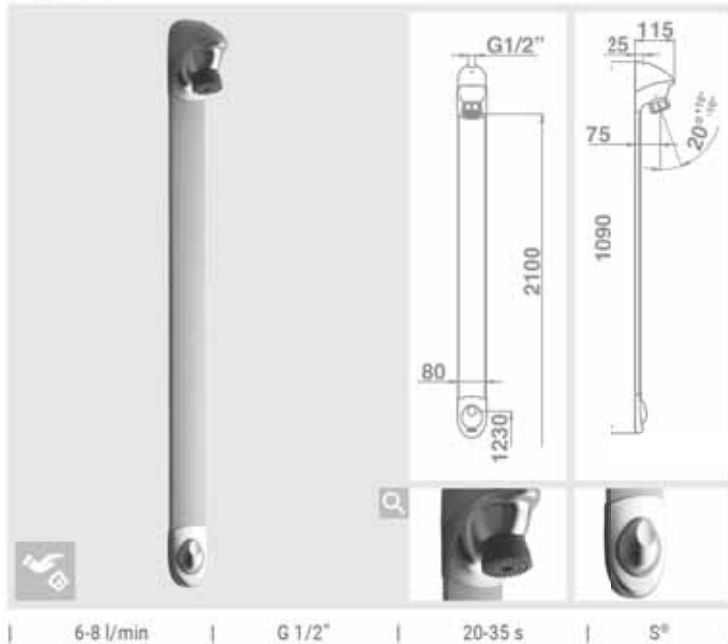


| 3 l/min | Ø 3/8" | 6 s | Temperature limiter |

SHOWER

DL 400 SE®

Single tap



6-8 l/min

G 1/2"

20-35 s

S®

DL 400 SE® SINGLE TAP

Straight stop valves - 20-35 s
Ø 1/2" - NF/I*

27400

Angled stop valve - 20-35 s
Ø 1/2" - NF/I*

Satin
grey
finish

27402

LEGIONELLA VERSION

Straight stop valves - 20-35 s
Ø 1/2" - NF/I*

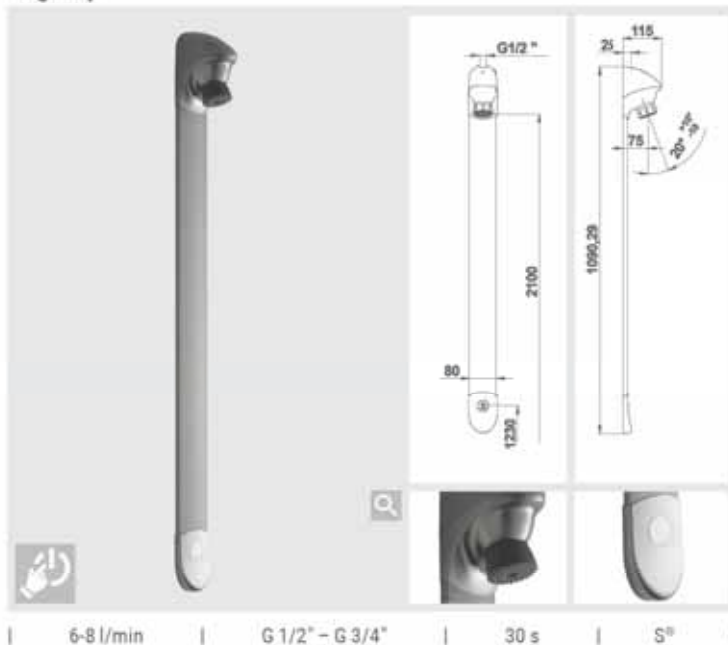
27424

i Legionella versions must have a remote triggering solution (see The 2016 commercial and public places catalogue).

* Certified products 

DL 400 E TOUCH®

Single tap



6-8 l/min

G 1/2" - G 3/4"

30 s

S®

DL 400 E TOUCH® SINGLE TAP

Straight stop valves - 30 s
Ø 1/2"

Satin grey
finish

27432

PRESTO ALPA® – ONLY

Mixer tap



| 6 l/min | G 3/4" – G1/2" | 20-35 s | S° |

PRESTO ALPA® – ONLY MIXER TAP

Adjustable elbow connector 20-35 s – 8 l/min	Black knob	35013
---	------------	-------

PRESTO ALPA® – ONLY

Panel mounted mixer tap



| 6 l/min | G 3/4" | 20-35 s | S° |

PRESTO ALPA® – ONLY PANEL MOUNTED MIXER TAP

For mounting on thin partitions 20-35 s – 8 l/min	Chrome-plated knob	35936
	Black knob	35906

PRESTO ALPA® / PRESTO ALPA S®

Concealed mixer tap in watertight case /
Anti-blocking system concealed mixer tap in watertight case



| 8 l/min | G 1/2" | 20-35 s | S° |

PRESTO ALPA® ALPA® WATERTIGHT CONCEALED CASE

20-35 s – 8 l/min	Chrome-plated knob	35190
-------------------	--------------------	-------

PRESTO ALPA S® CONCEALED MOUNTED ANTI-BLOCKING SYSTEM MIXER TAP IN A WATERTIGHT CASE

20-35 s – 8 l/min	Chrome-plated knob	35192
-------------------	--------------------	-------

PRESTO 50 B – CONCEALED

Single tap for concealed fitting with vandal-proof fastening



| 8 l/min | G 3/4" | 20-35 s | 75°C |

PRESTO 50 B – CONCEALED SINGLE TAP FOR CONCEALED MOUNTING WITH VANDAL PROOF FIXING

With vandal proof rosette Installation template – NF/I*	38222
--	-------

* Certified products 

SHOWER



PRESTOTEM® 2 P50 TM⁽¹⁾	
THERMOSTATIC SHOWER PANEL WITH TIMED-FLOW PRESTO 50 TAPWARE	
Top or rear water inlet with shower head a	88800
Top or rear water inlet with hand-held shower	88802
LEGIONELLA VERSION	
Top or rear water inlet with shower head	88804
PRESTOTEM® 2 P50 TM REVERSER	
THERMOSTATIC SHOWER PANEL WITH TIMED-FLOW PRESTO 50 TAPWARE AND REVERSER	
Top or rear water inlet b	88806

i Legionella versions must have a remote triggering solution.

* For rear water inlet, we recommend to use the adaptation kit 91026.

(1) TM: thermostatic mixer.

PRESTOTEM® 2 P50 TM⁽¹⁾/P50 TM REVERSER

Thermostatic shower panel with timed-flow PRESTO 50 tapware with or without reverser



PRESTOTEM® 2 ALPA	
SHOWER PANEL WITH ALPA® SELF-CLOSING MIXER TAP	
Top or rear water inlet with shower head c	88808
Top or rear water inlet with hand-held shower d	88810

PRESTOTEM® 2 ALPA S[®]	
SHOWER PANEL WITH ALPA S [®] SELF-CLOSING ANTI-BLOCKING SYSTEM MIXER TAP	
Top or rear water inlet and shower head	88812

* For rear water inlet, we recommend to use the adaptation kit 91026.

PRESTOTEM® 2 ALPA/ ALPA S[®]

Shower panel with ALPA/ ALPA S[®] self-closing mixer tap



CENTRALISED MIXING VALVE

THERMOSTATIC SAFETY REGULATOR

Internal temperature blocker



| 5-57 l/min | G 3/4" | Anti-scald | 75 °C |

THERMOSTATIC SAFETY REGULATOR WITH INTERNAL TEMPERATURE-BLOCKING

G 3/4" - inlets and outlet
From 30 to 65 °C - Flow rate: 57 l/min
at 3 bars

29002

THERMOSTATIC SAFETY REGULATOR

38 °C temperature limiter, can be deactivated



| 4-30 l/min | G 3/4" | Anti-scald | 75 °C |

THERMOSTATIC SAFETY REGULATOR WITH 38 °C TEMPERATURE LIMITER THAT CAN BE DE-ACTIVATED

G 3/4" - inlets and outlet
From 20 to 50 °C - Flow rate: 30 l/min
at 3 bars

29003

THERMOSTATIC SAFETY REGULATOR

Internal temperature blocker



| 4-43 l/min | G 1/2" | Anti-scald | 75 °C |

THERMOSTATIC SAFETY REGULATOR WITH INTERNAL TEMPERATURE-BLOCKING

Inlets and outlet - G 1/2"
From 20 to 50 °C - Flow rate: 43 l/min
at 3 bars

29006

THERMOSTATIC SAFETY REGULATOR

Internal temperature blocker



| 6-47 l/min | G 3/4" | Anti-scald | 75 °C |

THERMOSTATIC SAFETY REGULATOR WITH INTERNAL TEMPERATURE-BLOCKING

G 3/4" - inlets and outlet
From 20 to 50 °C - Flow rate: 47 l/min
at 3 bars


29007

- i** Nickel-plated design - Male inlets - Female outlet
- Swivel nut - Drain cock - G1/4" right or left mounting allowing filters to be checked.

PRESTO PLP – STAINLESS STEEL

- Panel material: 18/10 1.4301 V2A stainless steel
- Tapware material: chrome-plated brass
 - Directional shower head with anti limescale spikes
 - Programmable timer and rinsing
 - Size: 1,202 × 202 × 71 mm

LEGIONELLA VERSION

Top water supply  Stainless steel 88700

Water supply from the rear Stainless steel finish 88702

PRESTO PLP – STAINLESS STEEL

Thermostatic Legionella Touch® shower panel

NEW



| 10 l/min at 3 bars | G 1/2" | 1 to 5 bars | 75 °C during 30 min |

KEY OPERATED CONTROL BOX

For PLP panels ref. 88700 and 88702 only 88704

FUNCTION

Electricity supply and thermal shock control for 1 to 10 PLP panels.

Programmed thermal shock duration from 1 sec. to 100 hours, factory pre-set to 30 mins.

Programmed drainage after the thermal shock from 1 sec. to 100 hours, factory pre-set to 30 secs.

Input electricity supply: 230 V AC 50/60 Hz.

Output electricity supply: 12 V AC 50/60 Hz.

Thermal shock:

- **To activate the thermal shock**, turn the key to the right. The red indicator lights.
- **The thermal shock solenoids are activated**, the PLP panel is completely disinfected.
- **After the thermal shock**, the panel is rinsed with mixed water, the orange indicator lights.
- **Drainage is carried out to lower the temperature** of the water supply to prevent scalding risks.

KEY OPERATED CONTROL BOX

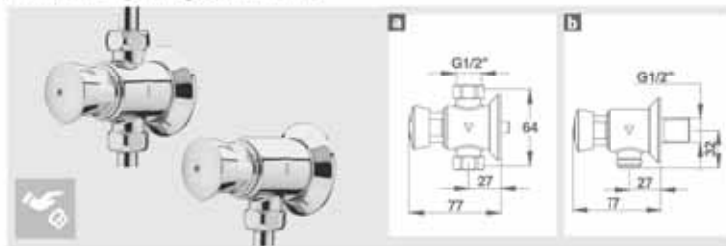
NEW



URINAL VALVE

PRESTO 12 / PRESTO 12 FROST PROOF / PRESTO 12 A

In-line and right-angled water inlet



| 9 l/min | G 1/2" | 6 s | vandal proof |

PRESTO 12 IN LINE INLET

With 1 connector - NF[®] **B** 31001

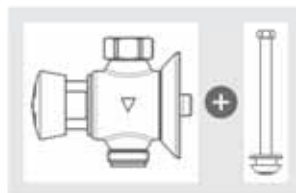
PRESTO 12 ANTIGEL (FROST PROOF) IN LINE INLET

With 2 connectors 31303

PRESTO 12 A RIGHT-ANGLED INLET

Without connectors - NF[®] **B** 31707

IN-LINE WATER INLET KIT



ALLIA[®]

AUBAGNE 2

COMPLETE KITS In-line water inlet 31993

JACOB DELAFON[®]

COQUILLE 2

COMPLETE KITS In-line water inlet 31983

EXPOSED SENSÃO 8400N FOR STANDARD BATTERY POWERED URINAL

NEW
available in April 2017



| 6 l/min | G 1/2" | 8 s | battery |

SENSÃO[®] 8400 N

SENSOR URINAL VALVE FOR IN-LINE WATER INLET

In-line water inlet - for standard battery powered urinal 55370

In-line water inlet for siphonic action battery powered urinal 55370 + 55372*

SENSOR URINAL VALVE FOR RIGHT-ANGLED WATER INLET

Right-angled water inlet - for standard battery powered urinal 55371

Right-angled water inlet - for siphonic battery powered urinal 55371 + 55372*

* Siphonic pipe for siphonic battery powered urinal.

SENSÃO[®] 8100 CONCEALED

Mains power inlet



| 5 l/min | G 1/2" | 8 s | Mains |

SENSÃO[®] 8100 CONCEALED MAINS POWER INLET

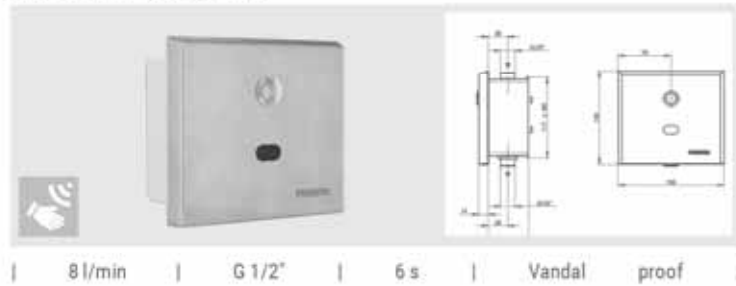
230 V AC / 12 AC TRANSFORMER NOT INCLUDED (SEE COMPLEMENTARY PRODUCTS)

Ivory white finish 55320

SENSAO® 8500 CONCEALED BATTERY POWERED WITH BUILT-IN 6 V CRP2 LITHIUM BATTERY	
304 L grade brushed stainless steel finish	55610
SENSAO® 8600 CONCEALED MAINS POWER INLET 230 V AC / 12 V AC TRANSFORMER NOT INCLUDED	
304 L grade brushed stainless steel finish	55612

SENSAO® 8300 CONCEALED - STAINLESS STEEL

Battery or mains power inlet

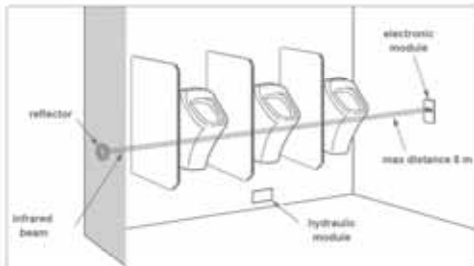


COMPLETE UNIT FOR BANKS OF URINALS

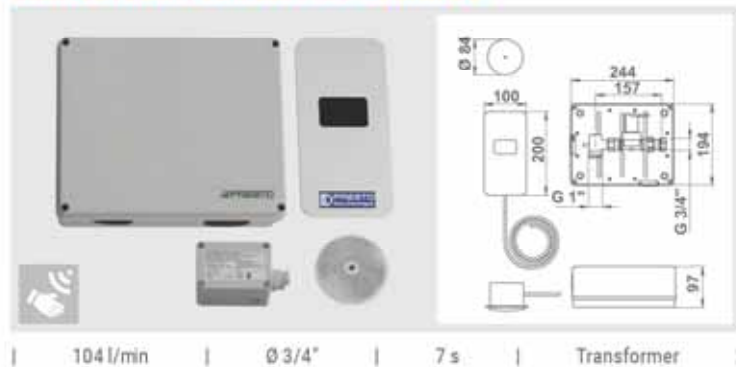
WITH 230 V AC / 12 V DC SAFETY TRANSFORMER
10 VA - IP65

For all types of urinal **52914**

- 1 Configurable flush time from 1 to 10 sec. after the user has left.



COMPLETE UNIT FOR BANKS OF URINALS



SENSOR FOR SUSPENDED CEILINGS

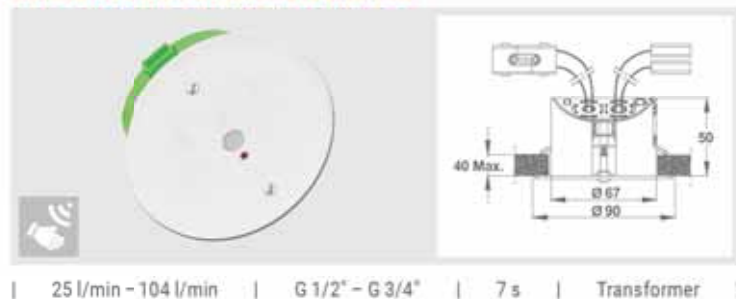
Wide field model - 2 to 6 urinals

52454

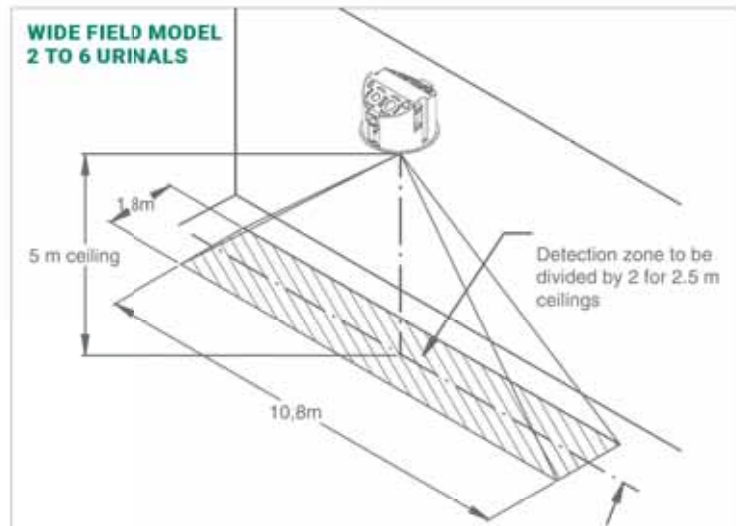
1 SUSPENDED CEILING DETECTION OPERATION

- Pre-rinsing (can be deactivated) when the user enters the detection zone (time equal to half the rinsing time).
- Rinsing (adjustable from 1 to 20 seconds) is activated 30 seconds after the user leaves.
- The 30 second timer is reinitialised if a new user arrives during this period, with a maximum duration of 2 minutes after which rinsing is forced (during very busy periods).
- If a new user arrives during the 20 seconds following rinsing, the pre-rinse is cancelled.

SENSOR FOR SUSPENDED CEILINGS



WIDE FIELD MODEL 2 TO 6 URINALS



FLUSH VALVE

FLUSH KIT N°1 WITH PRESTO ECLAIR XL

For standard toilet bowl



| 9l | | G 1 1/4" | | 7/9 s | |

FLUSH KIT N°1 WITH PRESTO ECLAIR XL FOR STANDARD TOILET BOWL

Built-in stop valve - Outlet connector
Angled ø 32 mm flush tube **chrome-plated**
Fixing collar
Junction nozzle Ø 28 to 32 mm

13935

FLUSH KIT N°5 WITH PRESTO 1000 XL

For standard or children's toilet bowl



| 6-9l | | G 3/4" | | 7/9 s | |

FLUSH KIT N°5 WITH PRESTO 1000 XL FOR STANDARD OR CHILDREN'S TOILET BOWL

Built-in stop valve
Angled ø 32 mm flush tube **chrome-plated**
Fixing collar
Junction nozzle Ø 28 to 32 mm

14914

PRESTO 1000 M

Exposed flush valve



| 9l | | G 3/4" | | 7/9 s | | outlet Ø 28 mm | |

PRESTO 1000 M EXPOSED FLUSH VALVE

Exposed installation M 3/4"
Supplied with compression seal connector
for Ø 28 mm tube

14109

PRESTO 1000 XL

Complete ready-to-install kit



| 6-9l | | G 3/4" | | 6/9 s | | outlet Ø 28 mm | |

PRESTO 1000 XL COMPLETE READY-TO-INSTALL KIT

The kit includes:
■ 1 PRESTO 1000 XL flush valve
■ 1 angled PVC tube in 3 parts to glue ref.47850
■ 1 junction nozzle

For partitions 15 to 200 mm thick

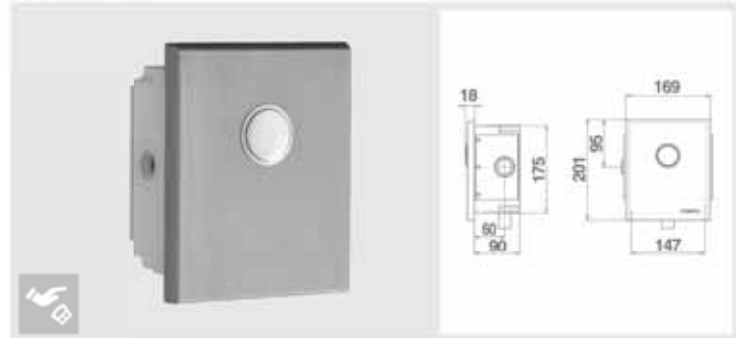
14260

PRESTO 1000 XL E CONCEALED FLUSH VALVE

Vandal-proof front plate Stainless steel finish 14251

PRESTO 1000 XL E

Concealed flush valve



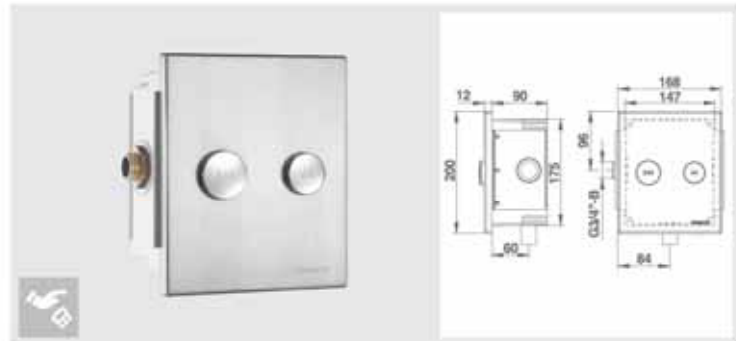
| 6-9 | | G 3/4" | | 6/9 s | | outlet Ø 28 mm |

PRESTO 1000 XL E DVA CONCEALED FLUSH VALVE

Adjustable dual volume
With brushed chrome-plated front plate 14300

PRESTO 1000 XL E DVA

Concealed flush valve



| 3-6 | | G3/4" | | Dual volume | | Large volume: 6/9 s - Small volume: 2/5 s |

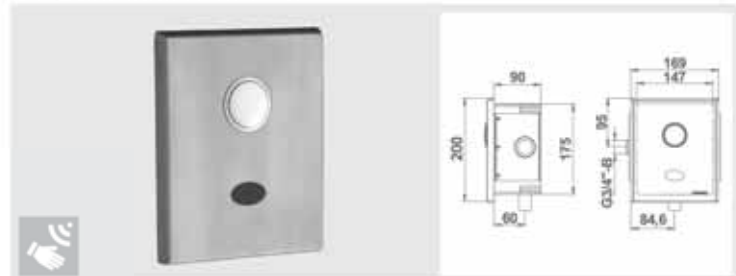
PRESTO 7100 XL CONCEALED FLUSH VALVE

WITH MAINS 230 V AC / 7 V DC IP55 POWER SUPPLY
TRANSFORMER NOT INCLUDED

55500

PRESTO 7100 XL

Complete, Concealed flush valve

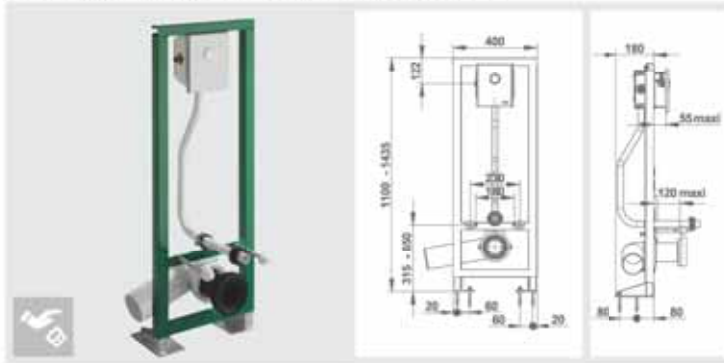


| 6-9 | | G 3/4" | | 6/9 s | | Mains power supply |

MOUNTING FRAME

SELF-SUPPORTING P 1000 XL S[®] SYSTEM MOUNTING FRAME

Anti-blocking system and vandal proof tipping control



| 6-9 litres | G 3/4" | 6/9 s | S[®] |

P 1000 XL S[®] SYSTEM SELF-SUPPORTING MOUNTING FRAME ANTI-BLOCKING SYSTEM AND VANDAL PROOF CONTROL

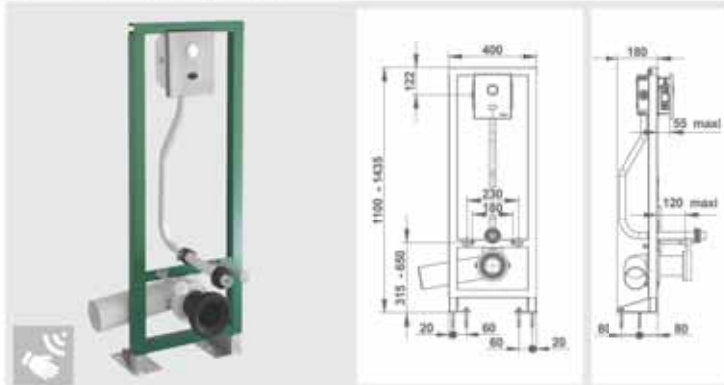
Brushed stainless steel control plate
Fitted with a P 1000 XL concealed direct flush valve

Brushed stainless steel finish

18547

SELF-SUPPORTING P 7200 XL OR P 71000 XL S[®] SYSTEM MOUNTING FRAME

Sensor control and push button



| 6-9 litres | G 3/4" | S[®] | Mains or battery power supply |

P 7200 XL OR P 71000 XL SENSOR CONTROL AND PUSH BUTTON

BUILT-IN 6V CRP2 LITHIUM BATTERY POWER SUPPLY

18548

MAINS 230 V AC / 7 V DC IP55 POWER SUPPLY NOT INCLUDED

18549

ADVANTAGES

- S[®] system preventing the system becoming jammed with the water flowing continuously and guaranteeing complete flushing.
- Manual by-pass button (keeps the flush operational even if the electricity supply is cut).

- ❗ Indicative battery life for all PRESTO electronic washbasin sensor taps: 3 years for 125,000 cycles/year (40 cycles/hour for 8 hours every day).

P 1000 XL E DVA S[®] SYSTEM

ANTI-BLOCKING SYSTEM PUSH BUTTON

Brushed chrome-plated finish front plate, fingerprint resistant **18460**

P 1000 XL A DVA S[®] SYSTEM

ANTI-BLOCKING SYSTEM PUSH BUTTON

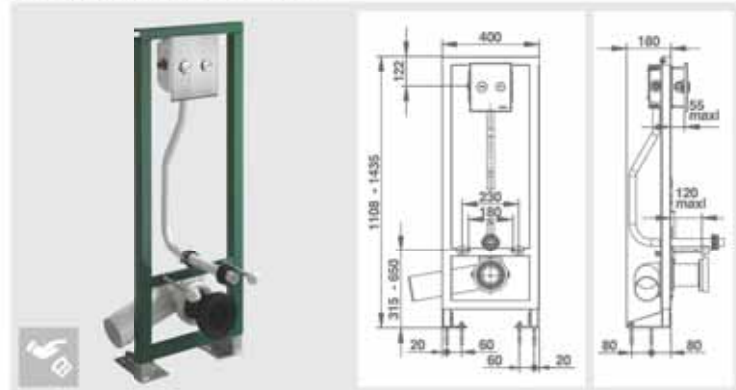
Bright polished chrome-plated front plate finish **18461**

ADVANTAGES

- S[®] system preventing the system becoming jammed with the water flowing continuously and guaranteeing complete flushing.

P 1000 XL E DVA S[®] SYSTEM MOUNTING FRAME

Anti-blocking system push-button



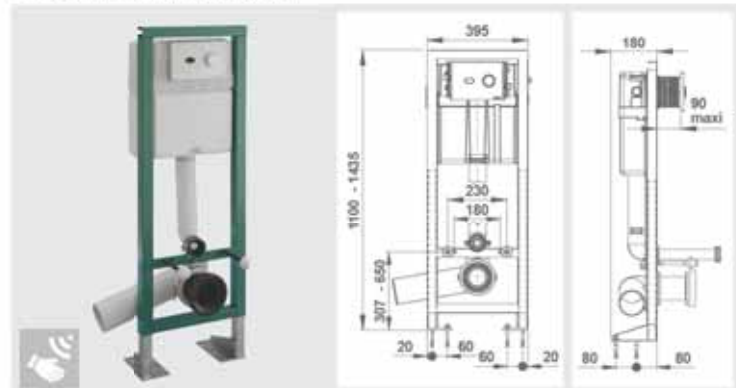
| 3-6 litres | G 3/4" | Dual volume | Large volume: 6/9 s | Small volume: 2/5 s |

SELF-SUPPORTING MOUNTING FRAME WITH CISTERN AND SENSOR CONTROL

With electronic sensor and push-button - Battery power supply **18586**

SELF-SUPPORTING MOUNTING FRAME

With cistern and sensor control



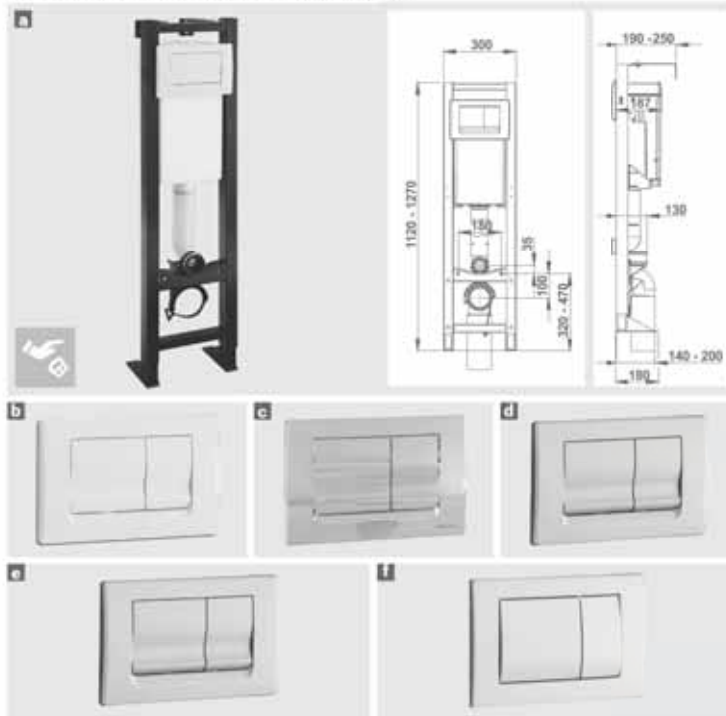
| Manual/sensor control

| Battery powered

MOUNTING FRAME

SELF-SUPPORTING MOUNTING FRAME

With cistern and dual volume tipping control



SELF-SUPPORTING MOUNTING FRAME

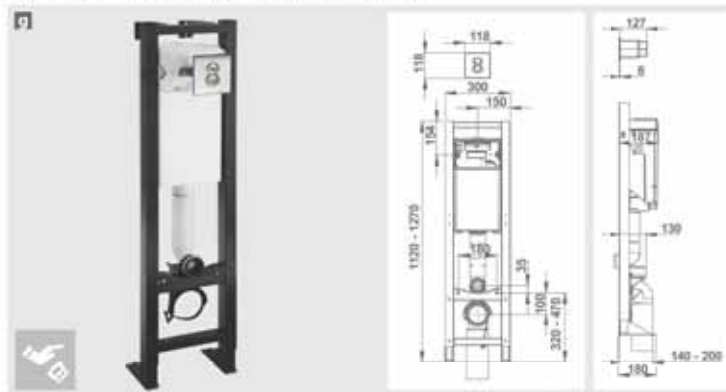
WITH CISTERN AND DUAL VOLUME TIPPING CONTROL

With white ABS front plate b and f	18593
With bright chrome-plated ABS front plate c	18594
With matt chrome-plated ABS front plate d	18595
With bright chrome-plated metal front plate e	18596
With matt chrome-plated metal front plate f	18597

i Provide a hatch (not supplied) for maintenance access.

SELF-SUPPORTING MOUNTING FRAME

With cistern and dual volume pneumatic control



SELF-SUPPORTING MOUNTING FRAME

WITH CISTERN AND DUAL VOLUME PNEUMATIC CONTROL

White finish	18606
Bright chrome-plated finish	18607
Matt chrome-plated finish f	18608

i BENEFITS

Trigger plate that can be built into a fire wall, in compliance with fire safety regulations in establishments open to the public under article C031.

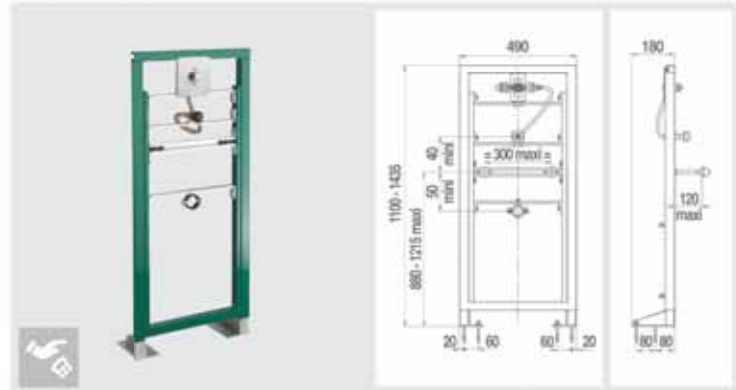
| 3-6 litres | G 1/2" | Dual volume |

MOUNTING FRAME WITH PRESTO 120 B VANDAL AND ANTI-BLOCKING SYSTEM CONTROL

Vandal-proof front plate Brushed stainless steel finish **18564**

MOUNTING FRAME WITH PRESTO 120 B

Timed flow valve



| 9 l/min | G 1/2" | 6 s | Vandal proof |

MOUNTING FRAME WITH SENSAO® 8100 MAINS POWERED SENSOR VALVE

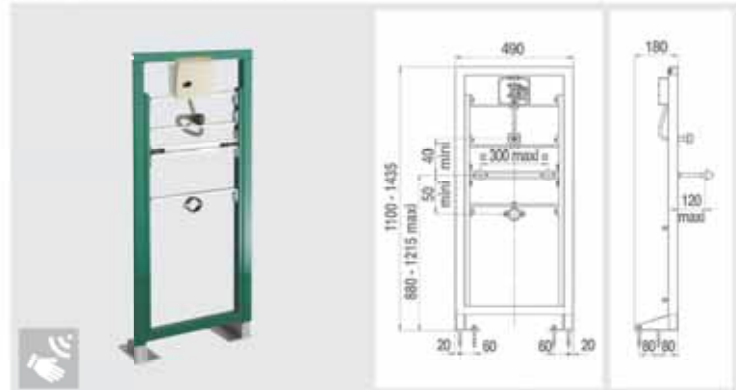
TRANSFORMER NOT INCLUDED (SEE COMPLEMENTARY PRODUCTS)

The distance between the box and the intermediate front plate is 35 mm Ivory white finish **18591**

i Indicative battery life for all PRESTO sensor washbasin sensor taps: 3 years for 125,000 cycles/year (40 cycles/hour for 8 hours every day).

MOUNTING FRAME WITH SENSAO® 8300

Battery powered sensor valve

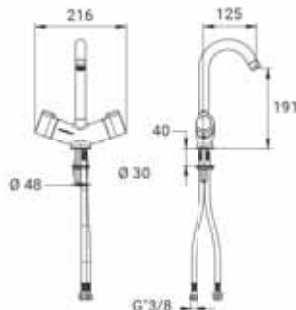


| 5 l/min | G 1/2" | 8 s | Battery |

SANIFIRST - WASHBASIN

SINGLE HOLE THERMOSTATIC WASHBASIN MIXER TAP

NEW
available in April 2017



MasterMiX.

SPOUT HEIGHT 191 MM

SINGLE HOLE THERMOSTATIC WASHBASIN MIXER TAP

- Smooth internal body
- Cartridges : ceramic and thermostatic
- No-cross connection between hot and cold water
- Dual temperature limiter: 38°C and 41°C
- Safety unlocking to perform a thermal shock only by technical staff

Deck-mounted without drainage

75712

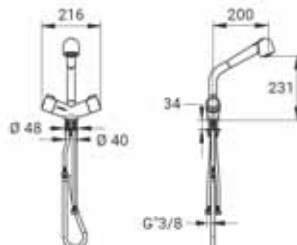
- ❗ **Anti-scalding safety.**
- ❗ **Water pipes safety.**
- ❗ **Easy maintenance.**

CSTB*
APPROVED

* Scientific and Technical Centre for Building

SINGLE HOLE THERMOSTATIC BABY BATH MIXER TAP

NEW
available in April 2017



MasterMiX.

SPOUT HEIGHT 231 MM

SINGLE HOLE THERMOSTATIC BABY BATH MIXER TAP

- Pull-out spray head, 2 holes
- Smooth internal body
- Cartridges : ceramic and thermostatic
- No-cross connection between hot and cold water
- Dual temperature limiter: 38°C and 41°C
- Safety unlocking to perform a thermal shock only by technical staff

Deck-mounted with pull-out spray head

75714

- ❗ **Anti-scalding safety.**
- ❗ **Water pipes safety.**
- ❗ **Easy maintenance.**

CSTB*
APPROVED

* Scientific and Technical Centre for Building

MasterMiX[®]
INSIDE

UNIQUE AND PATENTED TECHNOLOGY

LIMITS THE BACTERIAL PROLIFERATION

THERMOSTATIC MIXER TAP

- Cold body with smooth interior
- Cartridges :ceramic and thermostatic
- No-cross connection between hot and cold water
- Dual temperature limiter: 38°C and 41°C
- Safety unlocking to perform a thermal shock only by technical staff
- Mounting plate to be installed on wall-mounted F1/2 built-in inlets, with integrated stop valves

Exposed version - Downward outlet

75700

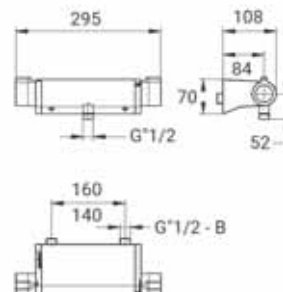
- 1 Anti-scalding safety.
- Water pipes safety.
- Easy maintenance.

CSTB*
APPROVED

* Scientific and Technical Centre for Building

THERMOSTATIC MIXER TAP

NEW
available in July 2017



MasterMiX.

THERMOSTATIC MIXER TAP

- Cold body with smooth interior
- Cartridges :ceramic and thermostatic
- No-cross connection between hot and cold water
- Dual temperature limiter: 38°C and 41°C
- Safety unlocking to perform a thermal shock only by technical staff
- Mounting plate to be installed on wall-mounted F1/2 built-in inlets, with integrated stop valves.

Exposed version - Upward outlet

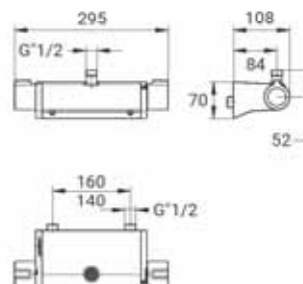
75702

- 1 Anti-scalding safety.
- Water pipes safety.
- Easy maintenance.

CSTB*
APPROVED

* Scientific and Technical Centre for Building

NEW
available in July 2017



MasterMiX.

ACCESSORIES

Downward swivel spout - Projection 200 mm a	75704
Upward swivel spout - Projection 125 mm b	75705
Long ergonomic flow rate lever c	75706



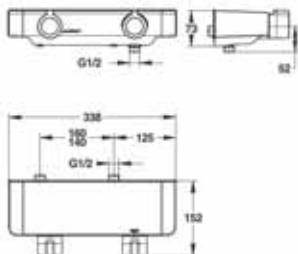
MasterMiX[®]
INSIDE

UNIQUE AND PATENTED TECHNOLOGY
LIMITS THE BACTERIAL PROLIFERATION

SANIFIRST - SHOWER

THERMOSTATIC SHOWER TABLET

NEW
available in May 2017



MasterMiX.

THERMOSTATIC SHOWER TABLET

- Cold body with smooth interior
- Cartridges: ceramic and thermostatic
- No-cross connection between hot and cold water
- Dual temperature limiter: 38°C and 41°C
- Safety unlocking to perform a thermal shock only by technical staff
- Mounting plate to be installed on wall-mounted F1/2 built-in inlets, with integrated 1/4 turn stop valves
- Tablet function

Downward outlet

75708

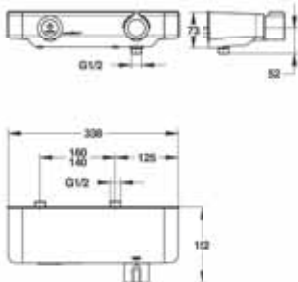
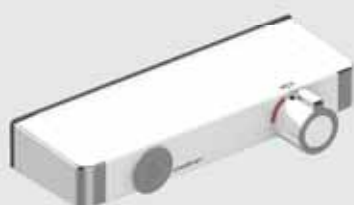
- 1 **Anti-scalding safety.**
- Water pipes safety.**
- Easy maintenance.**

CSTB*
APPROVED

* Scientific and Technical Centre for Building

TOUCH THERMOSTATIC SHOWER TABLET

NEW
available in May 2017



MasterMiX.

TOUCH THERMOSTATIC SHOWER TABLET

- Cold body with smooth interior
- Cartridges: ceramic and thermostatic
- No-cross connection between hot and cold water
- 2 solenoid valves: one for hot water, one for cold water
- Dual temperature limiter: 38°C and 41°C
- Safety unlocking to perform a thermal shock only by technical staff
- Mounting plate to be installed on wall-mounted F1/2 built-in inlets, with integrated 1/4 turn stop valves
- Tablet function

Downward outlet

75710

- 1 **Anti-scalding safety.**
- Water pipes safety.**
- Easy maintenance.**

CSTB*
APPROVED

* Scientific and Technical Centre for Building

PRESTOTEM® 2 TOUCH MASTERMIX®**THERMOSTATIC SHOWER PANEL WITH PRESTO TOUCH®**

Top or rear water inlet and head shower a	88828
Top or rear water inlet with hand-held shower b	88830

i * For rear water inlet, we recommend to use the adaptation kit 91026.

TOUCH® PROGRAMME

3 settings can be programmed during the 15 seconds after the power is switched on:

- the safety time, corresponding to the use time (in steps of 1 sec.) adjustable from 1 sec to 5 mins;
- the mandatory rinsing frequency (in steps of 24 h), pre-set to no mandatory rinse – adjustable from 0 to 30 days;
- the mandatory rinsing duration (in 15 second steps), set to 30 seconds by default – adjustable from 15 seconds to 2 minutes.

Settings are adjusted by pressing the button a certain number of times, to which the tap responds by flowing.

PRESTOTEM® 2 TOUCH MASTERMIX®

Thermostatic shower panel with PRESTO TOUCH®

NEW
available in 2nd semester 2017



| 6 l/min | G 1/2" | Battery | 75° C |

PRESTOTEM® 2 DUAL CONTROL MASTERMIX®/REVERSER

Dual control thermostatic shower panel with or without reverser

NEW
available in 2nd semester 2017

PRESTOTEM® 2 DUAL CONTROL MASTERMIX®
DUAL CONTROL THERMOSTATIC SHOWER PANEL

Top or rear water inlet with hand-held shower c	88826
--	-------

PRESTOTEM® 2 DUAL CONTROL MASTERMIX®
REVERSER
DUAL CONTROL THERMOSTATIC SHOWER PANEL WITH REVERSER

Top or rear water inlet with shower head (hand-held shower optional) d	88836
---	-------

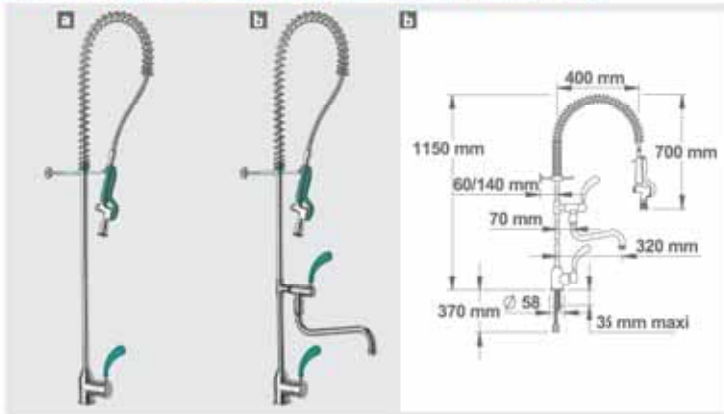
i * For rear water inlet, we recommend to use the adaptation kit 91026.



| 8 l/min | G 1/2" | Anti-scald | 75° C |

PROFESSIONAL TAPWARE

DECK-MOUNTED ONE-HOLE SINGLE LEVER MIXER TAP



| Ergonomic spray head | 10 l/min on the spray head | NF check valves | Adjustable jet |

DECK-MOUNTED ONE-HOLE SINGLE LEVER MIXER TAP

With adjustable jet spray head a	70552
With adjustable jet spray head and filler tap b	70553

DECK-MOUNTED ONE-HOLE SINGLE LEVER MIXER TAP



| On hob or ovens | Ceramic cartridge Ø 40 mm | Ergonomic lever | Directional spout |

DECK-MOUNTED ONE-HOLE SINGLE LEVER MIXER TAP

With reinforced giraffe spout Length 300 mm Extension 320 mm Inlet 12/14 welded copper tube	70565
--	-------

DECK-MOUNTED ONE-HOLE MIXER



| Ergonomic spray head | 10 l/min on the spray head | Adjustable jet |

DECK-MOUNTED ONE-HOLE MIXER

With reinforced 300 mm long spout a	70562
With adjustable jet spray head and filler tap with telescopic spout b	70551

COMBINED SAFETY SHOWER / EYE WASH

Vertical outlet:

COMBINED SAFETY SHOWER / EYE WASH

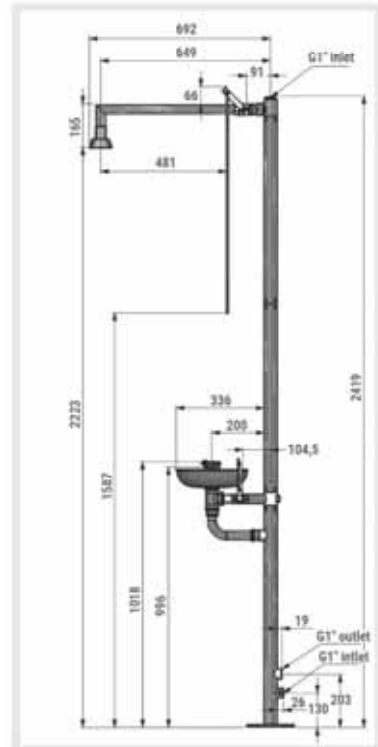
Shower head with self-draining device
 - Eye wash with built-in flow regulator -
 Recipient in stainless steel with outlet

85671

i Compliant with the EN 15154-1&2 and ANSI Z 358.1 - 2004 standards

There are 2 tap safety standards:

- The European standard EN 15154-1&2.
- The American standard ANSI Z 358.1 - 2004.



SAFETY SHOWER

CEILING WATER SUPPLY

Fixed head - Male 1/2"

85753

SAFETY SHOWER

Ceiling / wall / surface mounted water supply



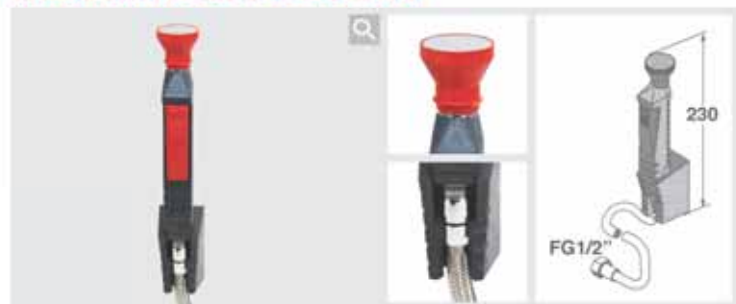
| Minimum pressure 1 bar | Resistant to chemicals | Auto-drainage | 2 kg |

WALL MOUNTED

Single jet model - Trigger control
 with G 1/2" hose (15 x 21)

85767

WALL MOUNTED SAFETY EYE WASH



| Minimum pressure 1.5 bars | Resistant to chemicals | G 1/2" | 0.5 kg |

WALL MOUNTED

2 jet model with basin
 Lever-operated - G 1/2"

85765



| Minimum pressure 1.5 bars / maximum 10 bars | Resistant to chemicals | 26 l/min |

MOBILITY

Ø 25 mm SUPPORT RAIL



Ø 25 mm SUPPORT RAIL

WHITE EPOXY STEEL FINISH

Straight rail 300 mm	60300
Straight rail 400 mm	60302
Straight rail 500 mm	60304
Straight rail 600 mm	60306

304 GRADE BRUSHED STAINLESS STEEL FINISH

Straight rail 300 mm	60310
Straight rail 400 mm	60312
Straight rail 500 mm	60314
Straight rail 600 mm	60316

Ø 32 mm SUPPORT RAIL



Ø 32 mm SUPPORT RAIL

WHITE EPOXY STEEL FINISH

Straight rail 300 mm	60501
Straight rail 400 mm	60502
Straight rail 500 mm	60305
Straight rail 600 mm	60503
Straight rail 900 mm	60504
Straight rail 1100 mm	60500

304 GRADE BRUSHED STAINLESS STEEL FINISH

Straight rail 300 mm	60311
Straight rail 400 mm	60313
Straight rail 500 mm	60315
Straight rail 600 mm	60317
Straight rail 900 mm	60318
Straight rail 1100 mm	60319

Ø 34 mm SUPPORT RAIL



Ø 34 mm SUPPORT RAIL

ANTI-BACTERIAL ABS COATED ALUMINIUM FINISH

Straight rail 300 mm	Hygien +	60451
Straight rail 400 mm	Hygien +	60452
Straight rail 600 mm	Hygien +	60453

ANTIBACTERIAL ABS COATED ALUMINIUM FINISH

3 ANCHOR POINTS

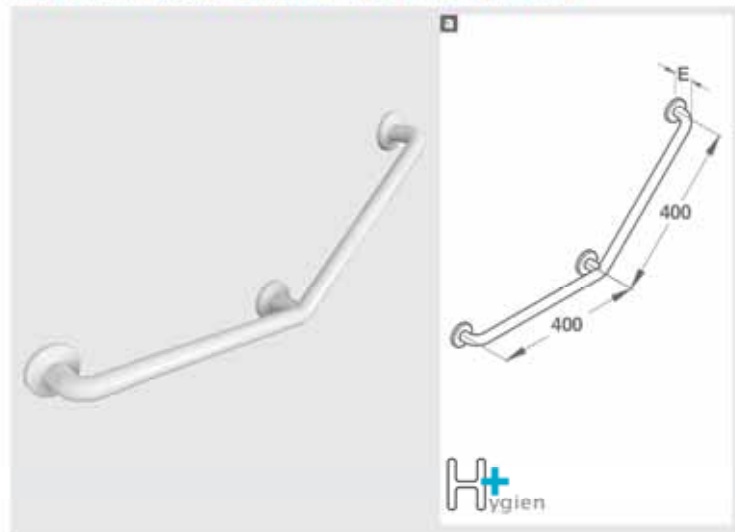
Straight rail 900 mm	Hygien +	60454
Straight rail 1100 mm	Hygien +	60450

PRESTO TIPS

Straight rails can be fitted horizontally (support rails) or sloping at 135°C (raising rails)

135° ANGLED RAIL - Ø 25 mm	
304 GRADE BRUSHED STAINLESS STEEL FINISH	
400 x 400 mm - 3 anchor points	60323
WHITE EPOXY FINISH STEEL	
400 x 400 mm - 3 anchor points	60321
135° ANGLED RAIL - Ø 32 mm	
304 GRADE BRUSHED STAINLESS STEEL FINISH	
400 x 400 mm - 3 anchor points	60324
WHITE EPOXY FINISH STEEL	
400 x 400 mm - 3 anchor points	60529
135° ANGLED RAIL - Ø 34 mm	
ANTI-BACTERIAL ABS COATED ALUMINIUM	
400 x 400 mm - 3 anchor points	Hygien+ 60581

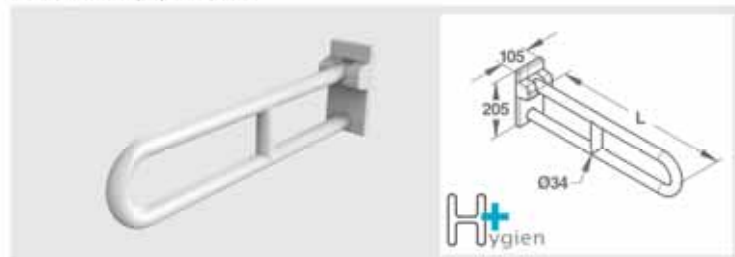
135° ANGLED RAIL - Ø 25 mm - Ø 32 mm - Ø 34 mm



FOLDAWAY RAIL WITHOUT LEG - Ø 34 mm	
WITHOUT TOILET PAPER HOLDER	
ANTI-BACTERIAL ABS COATED ALUMINIUM	
Length 650 mm	Hygien+ 60809

FOLDAWAY RAIL WITHOUT LEG - Ø 34 mm - Ø 35 mm

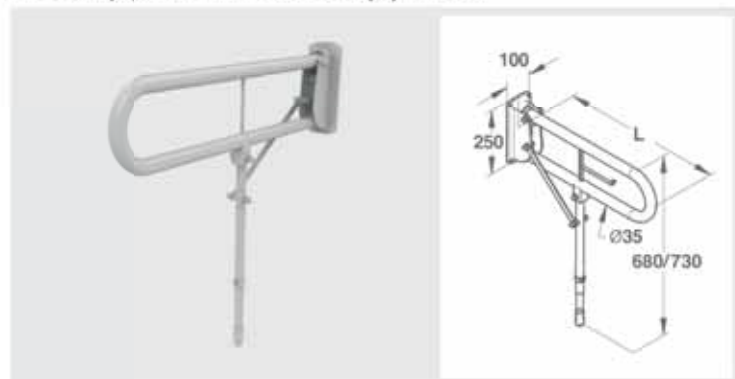
Without toilet paper holder



FOLDAWAY RAIL WITH LEG - Ø 35 mm	
WITHOUT TOILET PAPER HOLDER	
304 GRADE POLISHED BRIGHT STAINLESS STEEL	
Length 760 mm	60799

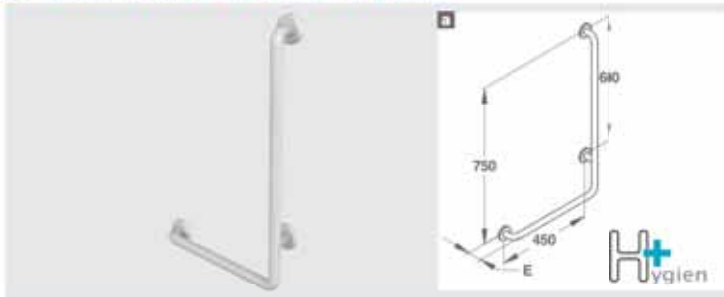
FOLDAWAY RAIL WITH LEG - Ø 34 mm - Ø 35 mm

With toilet paper holder / Without toilet paper holder



MOBILITY

90° ANGLED RAIL – Ø 32 mm – Ø 34 mm



90° ANGLED RAIL – Ø 32 mm		
304 GRADE POLISHED BRIGHT STAINLESS STEEL		
450 x 750 mm – Left side model	<input type="checkbox"/>	60759
304 GRADE STAINLESS STEEL WHITE EPOXY FINISH		
450 x 750 mm – Left side model	<input type="checkbox"/>	60760
450 x 750 mm – Right side model		60763
90° ANGLED RAIL – Ø 34 mm		
ANTI-BACTERIAL ABS COATED ALUMINIUM		
450 x 750 mm		
Left side model	<input type="checkbox"/>	Hygien + 60761
450 x 750 mm – Right side model		Hygien + 60764

CORNER RAIL – Ø 32 mm – Ø 34 mm



CORNER RAIL – Ø 34 mm		
ANTI-BACTERIAL ABS COATED ALUMINIUM		
700 mm x 700 mm		
3 fixture points		Hygien + 60459

RAIL WITH SLIDING BLOCK – Ø 32 mm – Ø 34 mm



WHITE ABS RAIL WITH SLIDING BLOCK – Ø 34 mm		
ANTI-BACTERIAL ABS COATED ALUMINIUM		
Length 1,100 mm		Hygien + 60664

HANG-UP SHOWER SEAT

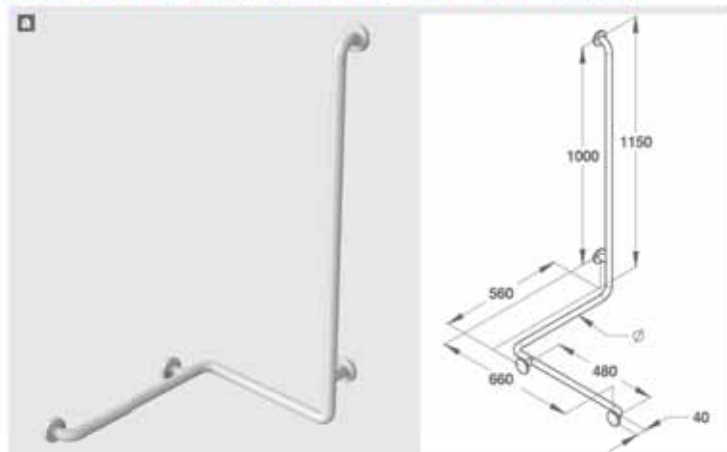


HANG-UP SHOWER SEAT		
WHITE EPOXY FINISH STEEL		
Hang-up shower seat		60520

CORNER SHOWER RAIL WITH VERTICAL - Ø 32 MM RAIL
304 GRADE STAINLESS STEEL WHITE EPOXY FINISH

Left model	60723
Right model 	60726

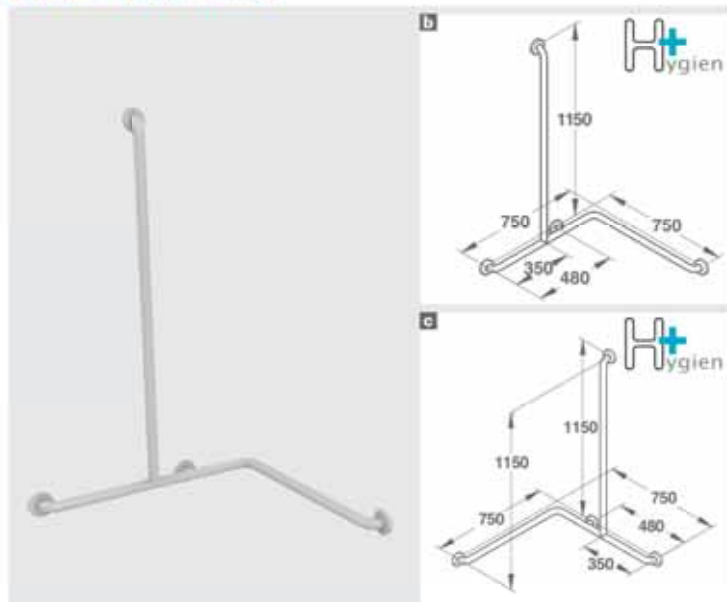
CORNER SHOWER RAIL WITH VERTICAL - Ø 32 MM RAIL



CORNER SHOWER RAIL WITH VERTICAL - Ø 34 mm RAIL
ANTI-BACTERIAL ABS COATED ALUMINIUM

Left model 	Hygien +	60736
Right model 	Hygien +	60739

CORNER SHOWER RAIL WITH VERTICAL
Ø 32 mm - Ø 34 mm RAIL



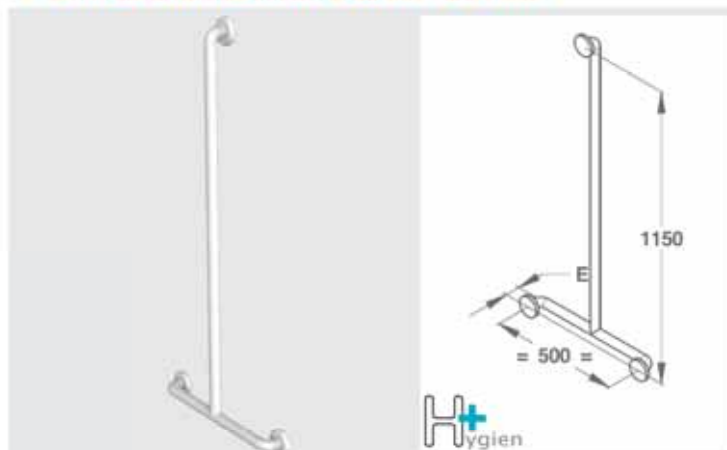
"T" SHAPED SHOWER RAIL - Ø 32 mm
304 GRADE STAINLESS STEEL WHITE EPOXY FINISH

500 mm x 1,150 mm 60753

"T" SHAPED SHOWER RAIL - Ø 34 mm
ANTI-BACTERIAL ABS COATED ALUMINIUM

500 mm x 1,150 mm Hygien + 60754

"T" SHAPED SHOWER RAIL - Ø 32 mm - Ø 34 mm



DOWNLOAD OUR
BIM OBJECTS ON
bimobject[®]



BIM

PRESTO UPGRADES ITS LIBRARY OF "INTELLIGENT" OBJECTS AND CONFIRMS ITS PREMIUM PARTNER PLACE TO BUILDING PROFESSIONALS

- ✓ **AVAILABILITY**
A large number of PRESTO[®] taps for washbasin, shower, urinal and flush valve are already available online on BIMobject[®] website
- ✓ **SIMPLICITY**
View our demo video on The Presto Group's YouTube page or on www.prestodatashare.com



www.bimobject.com/presto

Credits: © Kruwt/Fotolia - © Lumieres/Fotolia - © Dmitry Nikolaev/Fotolia - © Shariff CheLah/Fotolia
© Shariff CheLah/Fotolia - © Roman Sigac/Fotolia - © wildwork/Fotolia
© TommL/istock - © Robert Hainz/Fotolia - © Roman Sakhno/Fotolia

Production PRESTO® - Edition February 2017 - Code Z479.7 - Drawings and photos are not contractual

CONTACTS

Offers, Assistance with product requirements, Project Monitoring and After-Sales Service...

One number making life easier: PRESTO CUSTOMER SERVICE

Tel.: +33 (0)1 46 12 34 56

Fax: +33 (0)1 47 35 69 82

Email : serviceclient@presto-group.com

TECHNICAL ADVICE

Servicing and maintenance

Requirement definition assistance

Tel. : +33 (0)1 46 12 34 56 (*Technical support*)

Fax : +33 (0)5 46 05 58 30

Email : assistancetechnique@presto.fr

DOWNLOAD CENTRE

www.prestodatashare.com

Technical information for public tendering

Product pictures, drawings, notices, certificates...

BIM files can be downloaded on www.bimobject.com



- Check out tapware solutions for commercial and public places in the PRESTO 2016 catalogue, and on www.presto-group.com/our-documentations



- Check out our tapware solutions for healthcare facilities in the SANIFIRST 2016 catalogue, and on www.presto-group.com/our-documentations

PRESTO



LES ROBINETS PRESTO S.A.

7, RUE RACINE

92542 MONTROUGE CEDEX – FRANCE

Tel.: +33 (0)1 46 12 34 56 | Fax: +33 (0)1 40 92 00 12

Email: serviceclient@presto-group.com

www.presto.fr | www.presto-group.com

