



Wall-mounted emergency eyewash with manual side lever. Zinc plated steel with epoxy paint coating and stainless steel.

Description

- Wall-mounted emergency eyewash unit with height flow at low pressure with full flow valve, automatic instantaneous opening and manual closing operated by side lever.
- Operated by side opening lever.
- Color green RAL 6029.
- Double aerated jet with dust cover.
- - Suitable for industries, workshops, laboratories, and in general wherever there is a risk of injury to personnel due to fire, acids, reagents, petroleum products, radioactive materials or any other contaminating element.
- CE conformity.

Suggested text for prescription

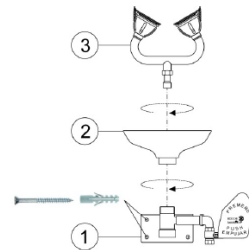
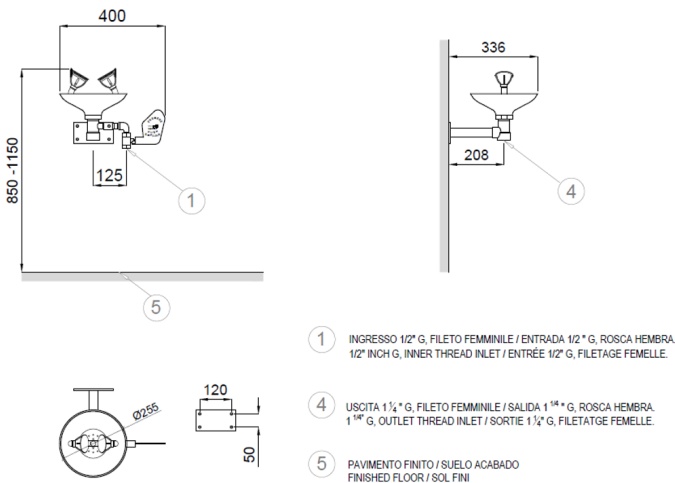
NOFER wall-mounted emergency eyewash or equivalent, with height flow at low pressure, full flow valve, automatic instantaneous opening and automatic manual closing by means of a side lever.

Body made of galvanized steel with green epoxy paint coating, stainless steel eyewash catcher and green polypropylene jets.

Technical characteristics

- Body material:** Galvanized steel
- Coating:** Green epoxy paint
- Color:** Green RAL 6029
- Collector material:** Stainless steel
- Dispenser material:** Polypropylene
- Material connecting parts:** Brass
- Pickup dimensions:** Ø255 mm
- Opening:** Instantaneous automatic
- Closing:** Manual
- Water supply pressure:** Minimum: 0.2 MPa - Maximum: 0.5 MPa
- Flow rate:** 14 l/min ± 10%.
- Minimum flow rate required at 2 bar:** 6 l/min
- Water inlet:** 1/2" thread
- Water outlet:** 1+1/4" thread

Dimensional drawing



Para las rosas use solamente teflón específico para sellado (por ejemplo Loctite 542).

- 1) Rosque el recogedor (2) en el conjunto cuerpo central (1).
- 2) Fije el lavajos (3) en el recogedor (2).
- 3) Fije el conjunto cuerpo central (1) a la pared. Alinee las piezas.



Ctra. Laureà Miró, 385-387
08980 | Sant Feliu de Llobregat,
Barcelona - Spain
T. +34 934 742 423
F. +34 934 743 548
nofer@nofer.com
www.nofer.com

RELATED
PRODUCTS



SC300.



SC310.



SC310SS

These specifications may be modified and/or amended due to manufacturing requirements.