



Emergency eyewash with pedestal, side manual lever and foot pedal. Zinc plated steel with epoxy paint coating and polypropylene.

Description

- Emergency eyewash, manual and pedal operated.
- high flow at low pressure.
- Activated by side lever and foot pedal.
- Double aerated jet with dust cover.
- Green color RAL 6029.
- Suitable for industries, laboratories and generally where there is a risk of personal injury from fire, acids, chemical reagents, petroleum products, radioactive materials or other contaminants.
- CE conformity.

Suggested text for prescription

NOFER emergency eyewash or equivalent, high flow at low pressure with full flow valve, automatic instantaneous opening and automatic manual closing by side lever and foot pedal. Galvanized steel body with green epoxy paint coating, green polypropylene eyewash catcher.

Technical characteristics

Body material: Galvanized steel with epoxy paint

Color: green

Collector material: Polypropylene

Material connecting parts: Brass

Pickup dimensions: Ø255 mm

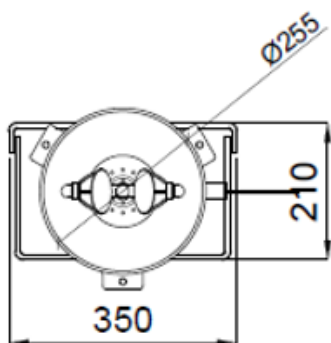
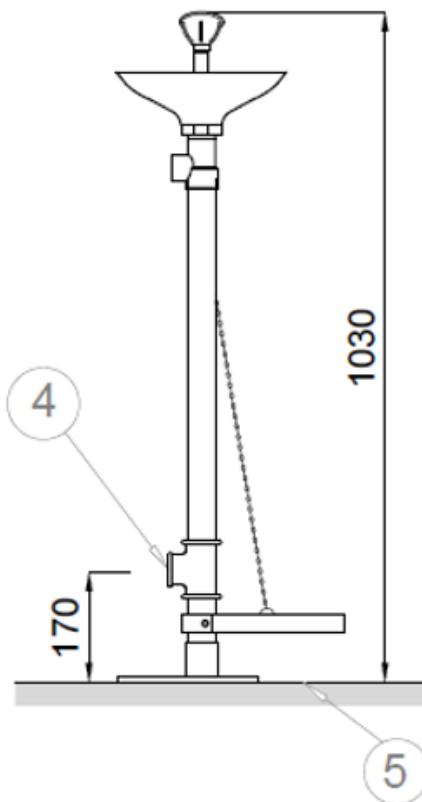
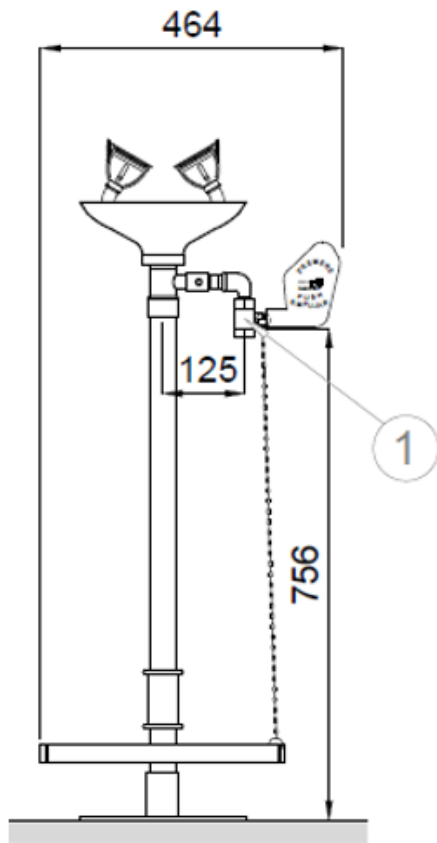
Flow rate: 14 l/min ± 10%.

Minimum flow rate required at 2 bar: 6 l/min

Water inlet: 1/2 " thread

Water outlet: 1 + 1/4 " thread

Dimensional drawing



- 1 INGRESSO 1/2" G, FILETO FEMMINILE / ENTRADA 1/2" G, ROSCA HEMBRA.
1/2" INCH G, INNER THREAD INLET / ENTRÉE 1/2" G, FILETAGE FEMELLE.
- 4 USCITA 1 1/4" G, FILETO FEMMINILE / SALIDA 1 1/4" G, ROSCA HEMBRA.
1 1/4" G, OUTLET THREAD INLET / SORTIE 1 1/4" G, FILETATGE FEMELLE.
- 5 PAVIMENTO FINITO / SUELO ACABADO
FINISHED FLOOR / SOL FINI



Ctra. Laureà Miró, 385-387
08980 | Sant Feliu de Llobregat,
Barcelona - Spain
T. +34 934 742 423
F. +34 934 743 548
nofer@nofer.com
www.nofer.com

RELATED
PRODUCTS



SC300.



SC300SS



SC310.

These specifications may be modified and/or amended due to manufacturing requirements.