



Horizontal hand operated safety shower to be fixed to the wall. Zinc plated steel with epoxy paint coating and polypropylene.

Description

- Emergency shower for wall mounting.
- Full flow valve, instant automatic opening and manual closing.
- Actuated by means of rigid tie rod with triangular handle.
- RAL 6029 green pipe.
- Suitable for industries, workshops, laboratories, and in general wherever there is risk of personal injury due to fire, acids, reagents, petroleum products, radioactive materials or any other polluting element.
- Conforms to European Directive 93/42/EEC.

Suggested text for prescription

NOFER hand-operated wall-mounted safety shower, made of galvanized steel with green epoxy paint coating and green polypropylene spray head. Includes full flow valve with automatic instantaneous opening and rigid tie rod for its operation with triangular handle. Flow rate: 120 l/min.

Technical characteristics

Body material: Galvanized steel with green epoxy coating

Color: Green

Spraying material: Polypropylene

Material connecting parts: brass

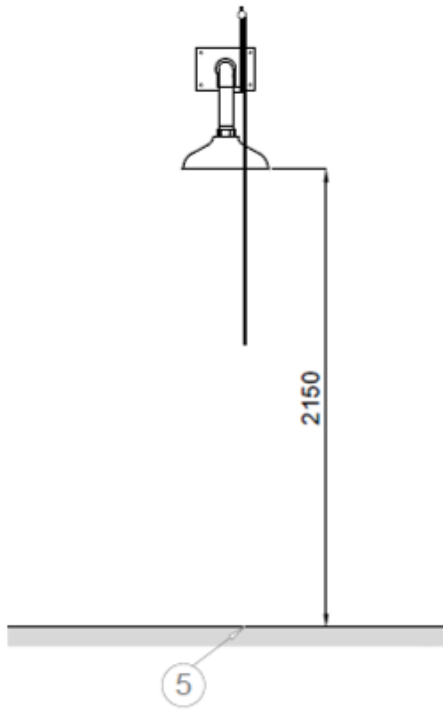
Minimum flow rate required at 2 bar: 6 l/min

Shower flow rate at 3 bar: 120 l/min

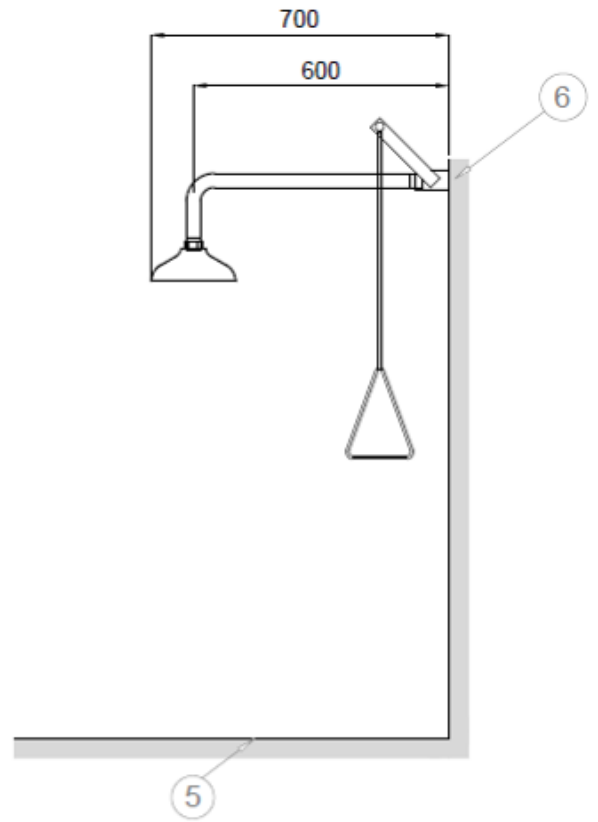
Recommended installation height: 2.15 m from the ground

Water inlet: 1 " Female gas

Dimensional drawing



6 INGRESSO 1" G, FILETO FEMMINILE
 ENTRADA 1" G, ROSCA HEMBRA
 1" G, INNER THREAD INLET
 ENTRÉE 1" G, FILETAGE FEMELLE.



5 PAVIMENTO FINITO
 SUELO ACABADO
 FINISHED FLOOR
 SOL FINI



Ctra. Laureà Miró, 385-387
 08980 | Sant Feliu de Llobregat,
 Barcelona - Spain
 T. +34 934 742 423
 F. +34 934 743 548
 nofer@nofer.com
 www.nofer.com

RELATED
 PRODUCTS



SC800.



SC800SS



SC820.

These specifications may be modified and/or amended due to manufacturing requirements.